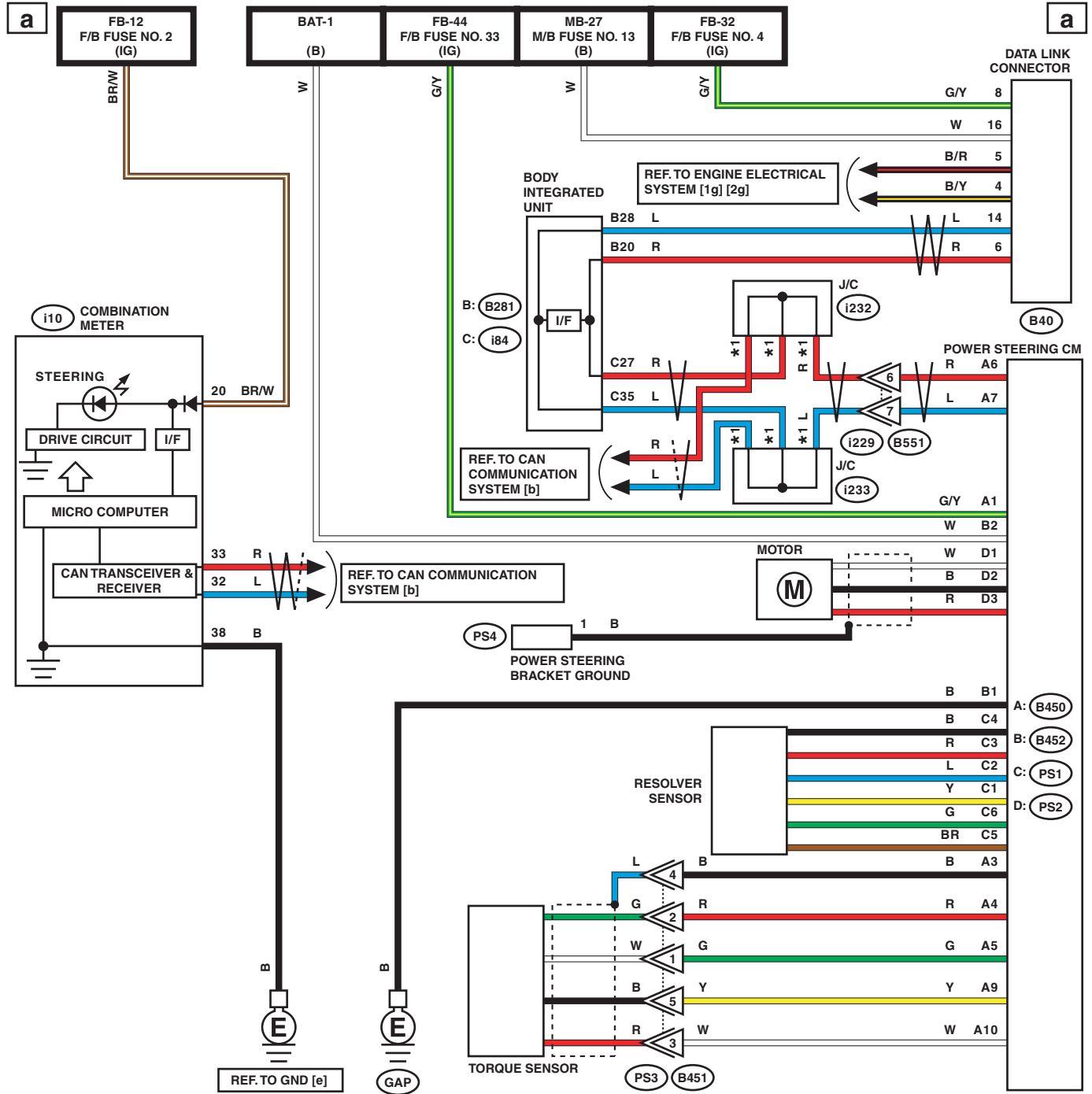


18. Electric Power Steering System

A: WIRING DIAGRAM



*1 : TERMINAL No. OPTIONAL ARRANGEMENT

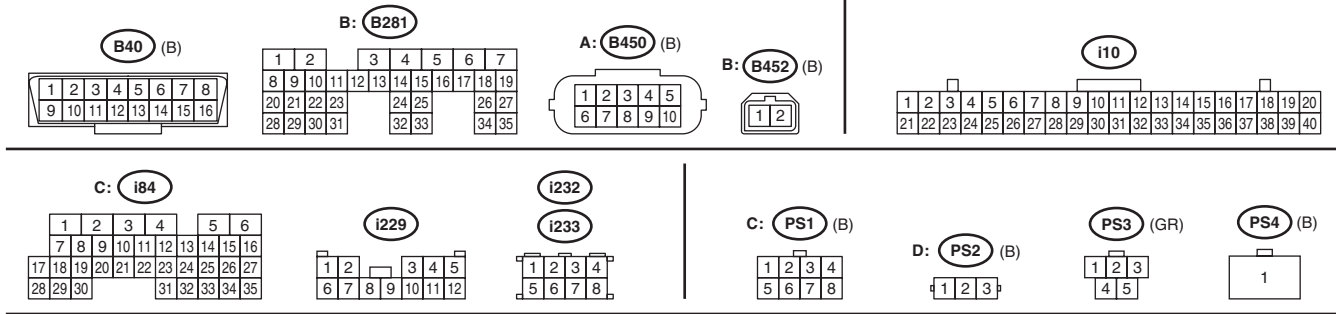
Electric Power Steering System

WIRING SYSTEM

b

b

LIST OF CONNECTORS



WI-44361

